

# PRODUCTS & APPLICATION

## RN series

[RN series \(/en.php/product/detail?id=54\)](/en.php/product/detail?id=54)

[R series \(/en.php/product/detail?id=55\)](/en.php/product/detail?id=55)

[N series \(/en.php/product/detail?id=53\)](/en.php/product/detail?id=53)

### RN series

#### SWT/RN series

SWT/RN series lock nut is square, which is applicable for the bearing supporting seat. Inner thread and end surface are manufactured at the same time to ensure the precision of the composition.

Material: 42CrMo,45#, 40Cr

Hardness: HRC28°—32°

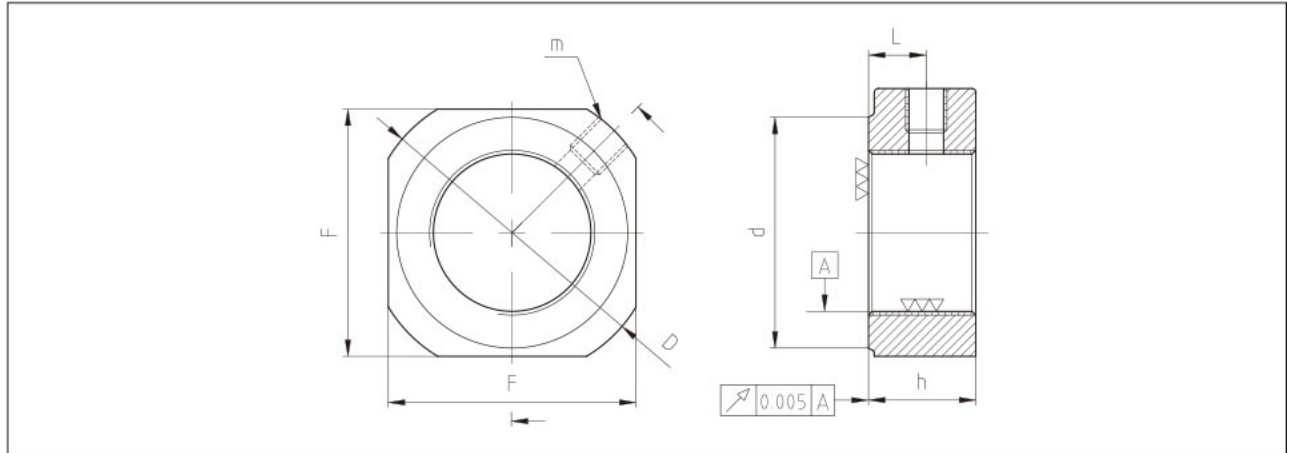
Thread Precision: ISO4H

Run Out: 0.005mm

请您留言

Thread	D	h	d	m	L	F	MAX.Nm
SWT/RN M6×1.0P	6	6.5	4.8	M4	6.5	11	20

SWT/RN M8x1.0P	16	6.5	12	M4	3.5	14	0.9
SWT/RN M10x1.0P	19	8	14	M4	5	16	0.9
SWT/RN M12x1.0P	22	8	17	M4	5	19	3.5
SWT/RN M15x1.0P	25	10	20	M4	5.75	22	3.5
SWT/RN M17x1.0P	29	11	22	M5	7	24	3.5
SWT/RN M20x1.0P	35	13	28	M5	7	30	8
SWT/RN M25x1.5P	43	15	33	M6	10	35	8
SWT/RN M30x1.5P	48	20	38	M8	12	40	8
SWT/RN M35x1.5P	60	21	48	M8	13	50	8
SWT/RN M40x1.5P	62	25	48	M8	18	50	8



Spindle    Lock nut    Bearing block    Wedge block    Rotary table    Hydraulic lock nut    Accessory

A Xuzhuang Park Road, Xingren Town, Tongzhou District, Nantong, Jiangsu, China  
 T +86-513-86222888    F +86-513-85650761

**About Us**

- Company Profile  
[\(/en.php/about/index\)](/en.php/about/index)
- Company History  
[\(/en.php/about/history\)](/en.php/about/history)
- Honors and Rewards  
[\(/en.php/about/honor\)](/en.php/about/honor)
- Our Customer  
[...](#)

**Product**

- Product Line  
[\(/en.php/product/cate?id=28\)](/en.php/product/cate?id=28)
- Application Fields  
[\(/en.php/product/app-list\)](/en.php/product/app-list)

**Company Strength**

- Solution  
[\(/en.php/tech/solution?type=1\)](/en.php/tech/solution?type=1)
- Technical Innovation  
[\(/en.php/tech/innovation\)](/en.php/tech/innovation)
- FAQ  
[\(/en.php/tech/qanda\)](/en.php/tech/qanda)

**Contact Us**

- Careers  
[\(/en.php/contact/job\)](/en.php/contact/job)
- Location  
[\(/en.php/contact/index\)](/en.php/contact/index)

Copyright(C)2009-2017 Jiangsu Swift Machinery Technology Co., Ltd 苏ICP备17027845号-1 (<http://www.mii.gov.cn/publish/query/indexFirst.action>)

DESIGN BY HANSNBRAND (<http://hansi.com>)

请您留言